

Sludge delivery line

ZX 200 / 8

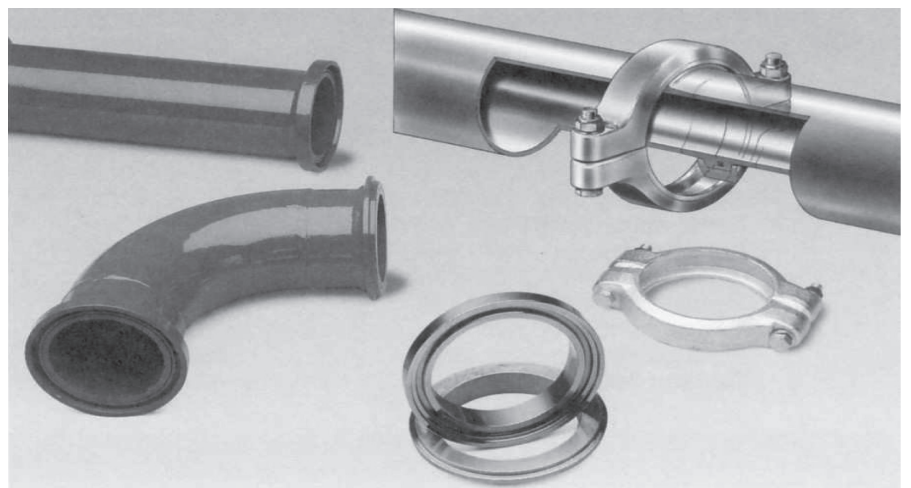
Working Pressure 70 bar

Possible operations:

Especially suitable for paste-like, abrasive media with high dry matter content at high pressures in the delivery line.

Advantages:

- Putzmeister high pressure delivery line with favourably-priced quickaction coupling system, wellproven in 24 hour continuous operation for stationary or temporarily laid pipe lines in sewerage treatment works, paper mills, etc.
- ZX screw couplings are simple and quick to assemble
- The ZX coupling system guarantees an absolutely leak-proof delivery line
- The delivery line centred by the coupling system is straight and rigid



Explanations:

Every ZX line always commences with a ZXV connection piece and finishes with a ZXM one.

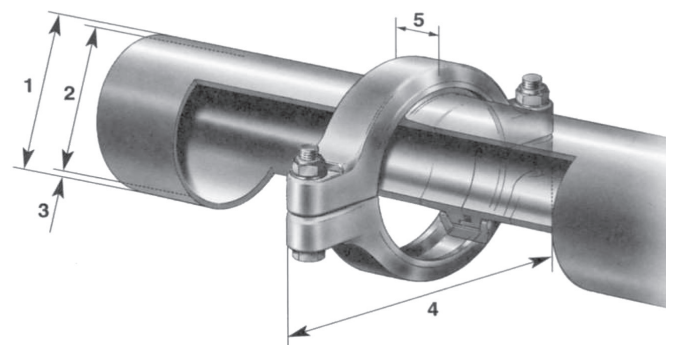
Technical dimensions:

Pipe:

1. Outside diameter	216.0 mm
2. Inside diameter	200.0 mm
3. Wall thickness	8.0 mm

Coupling:

4. Width	405.0 mm
5. Fitting dimensions	64.0 mm



Couplings / Seals

Designation		Part-Nr.	Approx. Weight unit/kg	Partgroup/disc. level
Screw coupling	ZX-S 130 bar dyn.	234471007	14.4	5
Seal	220.0 x 10.0	043520000	0.07	5
Seal	220.0 x 10.0	240310000	0.126	5

Delivery pipes / Welding rings

Designation		Part-Nr.	Approx. Weight unit/kg	Partgroup/disc. level
Delivery pipe	1000 mm lg	235200002	56.0	5
Delivery pipe	2000 mm lg	235201001	on request	5
Delivery pipe	3000 mm lg	235202000	138.0	5
Delivery pipe	6000 mm lg	235203009	220.0	5
Raw pipe	ca. 6000 mm lg	005468003	3.8	5
Welding ring	ZXV	253876007	4.4	5
Welding ring	ZXM	253886000	4.7	5

Delivery pipe elbows

Designation		Part-Nr.	Approx. Weight unit/kg	Partgroup/disc. level
Delivery pipe elbow	15°, r = 305 HD	235242002	on request	5
Delivery pipe elbow	30°, r = 305 HD	235241003	on request	5
Delivery pipe elbow	45°, r = 305 HD	235240004	1.0	5
Delivery pipe elbow	90°, r = 305 HD	235239002	30.0	5

Large radius elbows

Designation		Part-Nr.	Approx. Weight unit/kg	Partgroup/disc. level
Large radius elbow	15°, r = 1000 HD	262435002	on request	5
Large radius elbow	30°, r = 1000 HD	235209003	on request	5
Large radius elbow	45°, r = 1000 HD	235208004	56.0	5
Large radius elbow	90°, r = 1000 HD	235206006	94.0	5
Large radius elbow	15°, r = 2000 HD	235235006	on request	5
Large radius elbow	30°, r = 2000 HD	235234007	on request	5
Large radius elbow	45°, r = 2000 HD	235233008	on request	5
Large radius elbow	90°, r = 2000 HD	235232009	on request	5

Delivery hoses, fixed on both sides

Delivery hoses and End hoses are available in various lengths: 1 m – 40 m

Cleaning accessories

Designation		Part-Nr.	Approx. Weight unit/kg	Partgroup/disc. level
Sponge ball medium	D 220 - medium	065348008	1.03	7
Cleaning connection	ZXV 150	239321000	49.5	5

Other accessories

Designation		Part-Nr.	Approx. Weight unit/kg	Partgroup/disc. level
Forked pipe	1000 mm lg	239330004	92.0	5
T-delivery pipe	1000 mm lg	on request	on request	on request
Y-delivery pipe	1000 mm lg	274755000	272.0	5
Pressure gauge	0 – 100 bar analog	273690001	on request	5
Pipe attachment	complete	275113007	on request	5
Lid	ZXV 200/8	276361007	9.5	5
Lid	ZXM 200/8	238684007	3.2	5

Sludge delivery line, ZX 200 / 8, 100 m long, consisting of:

Quantity	Designation	Part-Nr.	Approx. Weight unit/kg	
40	Screw coupling ZX-S	234471007	14.4	
40	Seal 220.0 x 10.0	043520000	0.07	
2	Delivery pipe 2000 mm lg	235201001	on request	
12	Delivery pipe 3000 mm lg	235202000	138.0	
10	Delivery pipe 6000 mm lg	235203009	220.0	
2	Welding ring ZXV	253876007	4.4	
2	Welding ring ZXM	253886000	4.7	
1	Large radius elbow 15°, r=1000 ND	262435002	on request	
1	Large radius elbow 30°, r=1000 ND	235209003	on request	
2	Large radius elbow 45°, r=1000 ND	235208004	56.0	
5	Large radius elbow 90°, r=1000 ND	235206006	94.0	
1	Delivery hose ZX 200, 3000 lg	234459003	114.0	
5	Sponge ball medium D 220	065348008	1.03	
1	Cleaning connection ZXV 200	239321000	49.5	

Sludge delivery line, ZX 200 / 8, 200 m long, consisting of:

Quantity	Designation	Part-Nr.	Approx. Weight unit/kg	
70	Screw coupling ZX-S	234471007	14.4	
70	Seal 220.0 x 10.0	043520000	0.07	
4	Delivery pipe 2000 mm lg	235201001	on request	
24	Delivery pipe 3000 mm lg	235202000	138.0	
20	Delivery pipe 6000 mm lg	235203009	220.0	
4	Welding ring ZXV	253876007	4.4	
4	Welding ring ZXM	253886000	4.7	
2	Large radius elbow 15°, r=1000 ND	262435002	on request	
2	Large radius elbow 30°, r=1000 ND	235209003	on request	
4	Large radius elbow 45°, r=1000 ND	235208004	56.0	
8	Large radius elbow 90°, r=1000 ND	235206006	94.0	
1	Delivery hose ZX 200, 3000 lg	234459003	114.0	
10	Sponge ball medium D 220	065348008	1.03	
1	Cleaning connection ZXV 200	239321000	49.5	

Komplette Dickstoffförderleitung, ZX 200 / 8, 500 m lang, bestehend aus:

Quantity	Designation	Part-Nr.	Approx. Weight unit/kg	
125	Screw coupling ZX-S	234471007	14.4	
125	Seal 220.0 x 10.0	043520000	0.07	
3	Delivery pipe 1000 mm lg	235200002	56.0	
4	Delivery pipe 2000 mm lg	235201001	on request	
13	Delivery pipe 3000 mm lg	235202000	138.0	
75	Delivery pipe 6000 mm lg	235203009	220.0	
6	Welding ring ZXV	253876007	4.4	
6	Welding ring ZXM	253886000	4.7	
4	Large radius elbow 15°, r=1000 ND	262435002	on request	
4	Large radius elbow 30°, r=1000 ND	235209003	on request	
5	Large radius elbow 45°, r=1000 ND	235208004	56.0	
10	Large radius elbow 90°, r=1000 ND	235206006	94.0	
1	Delivery hose ZX 200, 3000 lg	234459003	114.0	
20	Sponge ball medium D 220	065348008	1.03	
5	Cleaning connection ZXV 200	239321000	49.5	